

SNR-CWDM-MDM-8/M

CWDM MUX/DMUX 16CH single fiber series

CWDM Mux/Demux Module (16ch)

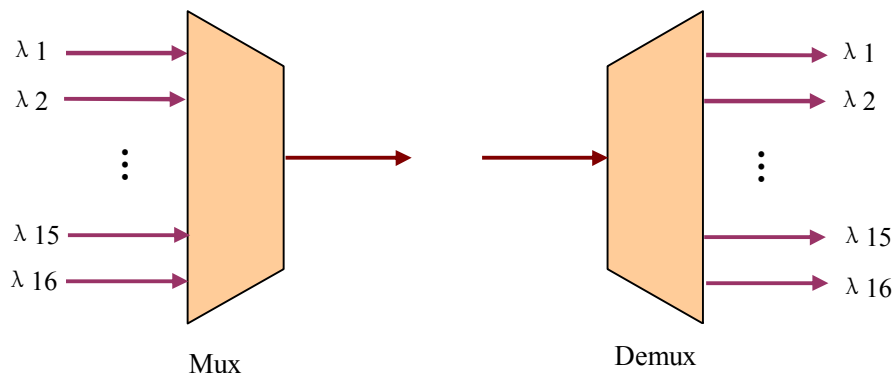
Feature:

- Low Insertion Loss
- Wide Pass Band
- High Channel Isolation
- High Stability and Reliability
- Epoxy Free Optical Path

Application:

- WDM Network
- Telecommunication
- Metro Network
- Access System

Function:



Performance Specification:

| Parameter | Specification | |
|------------------------------------------------|---------------------------------------------------------------------------------------------|-------|
| | Mux | Demux |
| Channel Number | 16 | 16 |
| Operating Wavelength (nm) | TRx: 1610/1470, 1590/1490, 1570/1510, 1550/1530, 1450/1370, 1430/1350, 1410/1330, 1390/1310 | |
| Center Wavelength Accuracy (nm) | ± 0.5 | |
| Bandwidth @-0.5dB (nm) | >15 | |
| Insertion Loss (including connector loss) (dB) | <3.6 | <3.6 |
| Ripple (dB) | <0.3 | |
| Adjacent Channel Isolation (dB) | >30 | |
| Non-Adjacent Channel Isolation (dB) | >40 | |
| TDL (dB) | <0.45 | |
| PDL (dB) | <0.1 | |

SNR-CWDM-MDM-8/M

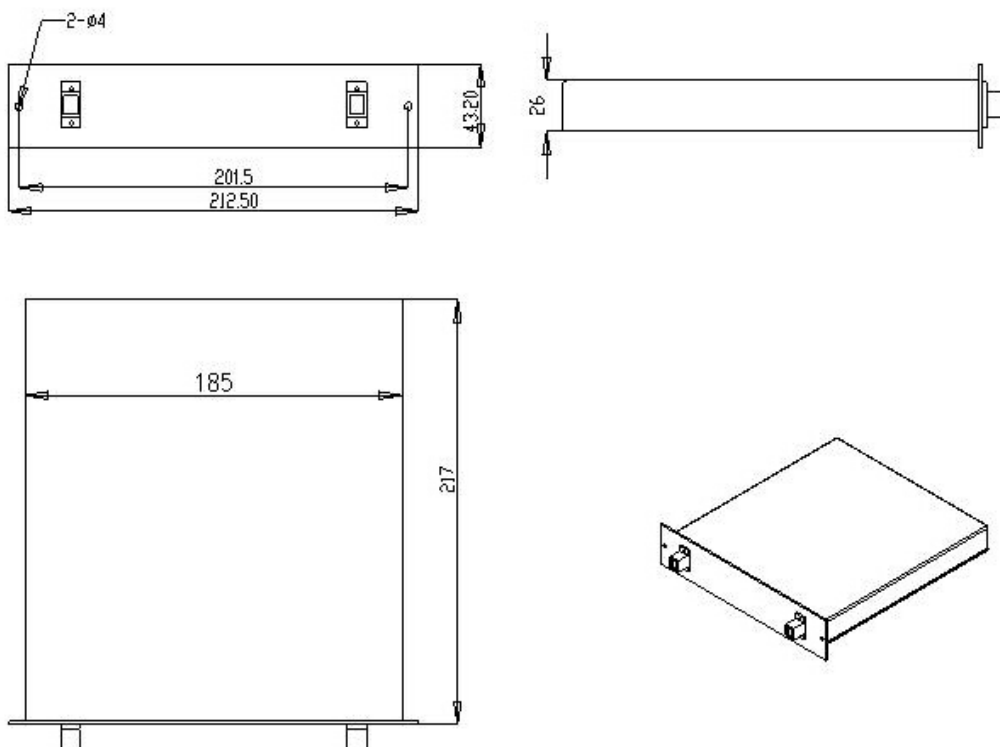
CWDM MUX/DMUX 16CH single fiber series

| | |
|---------------------------|----------------------------------------------|
| Directivity (dB) | >55 |
| Return Loss (dB) | >45 |
| Operating Temperature (□) | -10~70 |
| Storage Temperature (□) | -40~85 |
| Connector Type | COM with SC/UPC, the other ports with LC/UPC |
| Fiber Type | SMF-28e |
| Packaging Dimension | 19" 1U-height pathpanel type 210x230x43.6 |

Notes: All Parameters are including connectors.



Package Dimensions:



SNR-CWDM-MDM-8/M

CWDM MUX/DMUX 16CH single fiber series

GUARANTEE:



CONTACT:

Address: Building 56/2, Predelnaya Street, Yekaterinburg, Russia

Tel: +7(343) 379-98-38

Fax: +7(343) 379-98-38

E-mail: info@nag.ru

Online shop: <http://shop.nag.ru>